

Right Angle Relief Valves

NG-900 Series

Application

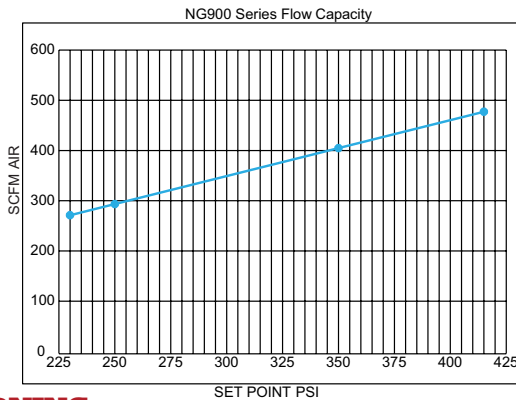
The NG-900 series relief valves are specifically designed for vapor line safety relief applications and cryogenic liquid containers. These valves open and close at preset pressures to ensure reliable performance at cryogenic temperatures. Specifically designed to avoid over pressurization in LNG fuel tank application and LNG installation.

Features

- Pressure Range 15 - 600 PSI (0.7- 41.4 BARG)
- Optional pull lever for manual override
- Materials selected specifically for compatibility with Natural Gas
- 100% Factory tested
- Temperature range -320°F to +196°F (-196°C to +74°C)
- Designed in accordance with & approved by ECE R110

Materials

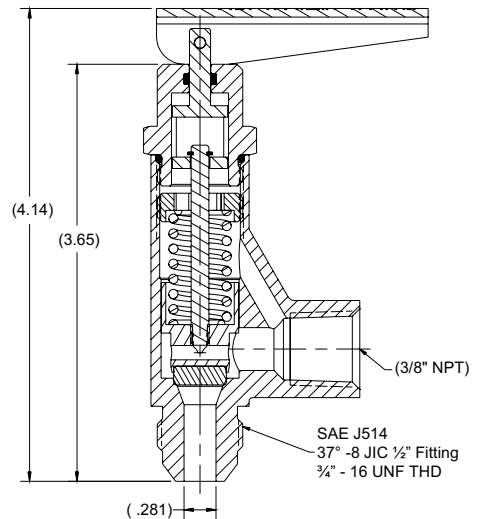
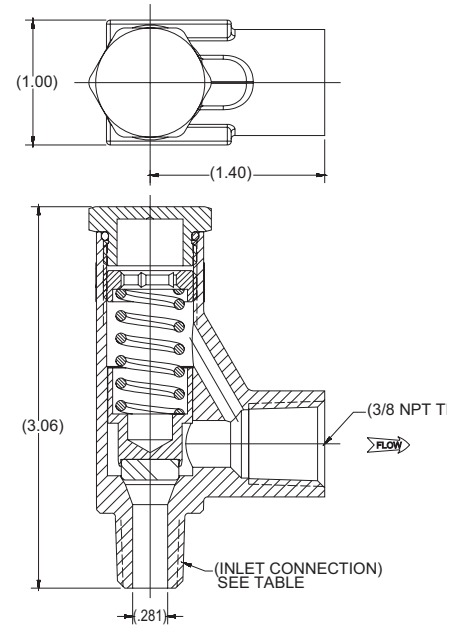
| | |
|-----------------------|-----------------|
| Spring Pin | Stainless Steel |
| Handle | Stainless Steel |
| O-rings | Fluorosilicone |
| Connector | Brass |
| Stem | Stainless Steel |
| Bonnet | Brass |
| Seat Disc | PTFE |
| Spring | Stainless Steel |
| Adjusting Screw | Stainless Steel |
| Body | Brass |
| Poppet | Brass |



NG-9002T



NG-9008M



WARNING:

Inspection and maintenance of pressure relief valves is very important. Failure to properly inspect and maintain pressure relief valves could result in personal injuries or property damage. The useful safe service life of a pressure relief valve may be significantly affected by the service environment.

Ordering Information

| Part Number | Inlet Connection | Outlet Connection | Manual Override | Pressure setting | | | |
|-------------|--|-------------------|-----------------|------------------|-------|-----|-------|
| | | | | psig | barg | | |
| NG9002T022 | 1/4" MNPT | 3/8" FNPT | No | 22 | 1.52 | | |
| NG9002T058 | | | | 58 | 4.0 | | |
| NG9002T230 | | | | 230 | 15.85 | | |
| NG9002T250 | | | | 250 | 17.23 | | |
| NG9002T275 | | | | 275 | 18.96 | | |
| NG9002T350 | | | | 350 | 24.13 | | |
| NG9002T415 | | | | 415 | 28.61 | | |
| NG9003T230 | 3/8" MNPT | | | 3/8" FNPT | No | 230 | 15.85 |
| NG9003T250 | | | | | | 250 | 17.23 |
| NG9003T350 | | | | | | 350 | 24.13 |
| NG9003T415 | SAE J514 (37° -8 JIC 1/2" fitting) (3/4"-16 UNF thread male) | | | 3/8" FNPT | Yes | 415 | 28.61 |
| NG9008M230 | | | | | | 230 | 15.85 |
| NG9008M250 | | | | | | 250 | 17.23 |
| NG9008M280 | | | | | | 280 | 19.30 |
| NG9008M350 | | 350 | 24.13 | | | | |
| NG9008M415 | | 415 | 28.61 | | | | |

*Contact your sales representative for additional settings.