

Noise Reduction Relief Valve

NRF9430 Series

Application

For use with cryogenic liquid cylinders to provide substantial reduction of discharge noise in sensitive environments. Our patent pending design allows for an efficient and environmentally friendly flow path.

Features

- Packaged and cleaned for oxygen service per CGA G-4.1
- Bubble tight at 95% of set pressure
- Temperature range -320°F to +165°F (-196° to +74 C°)
- 100% factory tested
- Tamper Resistant
- Repeatable Performance
- Below 90db@ 350 Set Pressure @ 2 meters away
- In liquid service be sure to use with a candy cane riser (Sold Separately)

Pipe Away Option

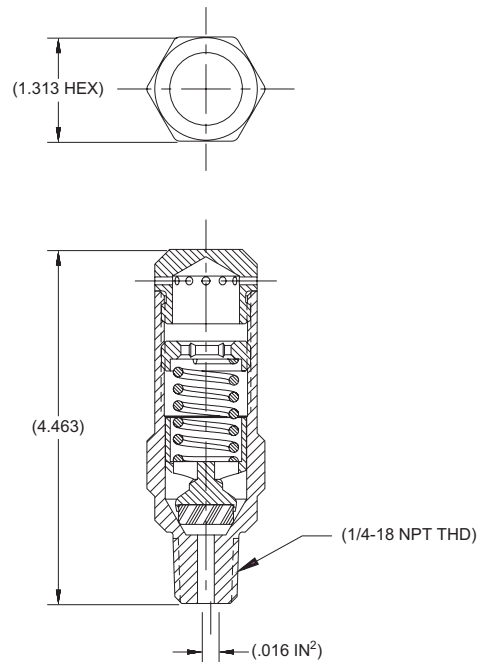
P Pipeaway included and attached, No drain hole in relief valve.
 For example NRF9432T140P
 Leave blank for relief valve without pipe-away attached.
 Pipeaway adapter part number NRF250-4.

Materials

BodyBrass
 Spring Stainless Steel
 Seat Retainer.....Brass



NRF Series



Ordering Information

Part Number	Inlet Inches (mm)	Set Pressure	
		psig	barg
NRF9432T230	1/4" (6.35)	230	15.9
NRF9432T350		350	24.1
NRF9432T500		500	34.5