

DOT Multivalve® for Liquid Withdrawal 8555DL

Application

These Multivalves® permit liquid withdrawal from DOT cylinders with up to 100 lbs. propane capacity. They eliminate unnecessary cylinder handling when servicing high volume loads and allow on-site filling into the vapor space without interrupting gas service.

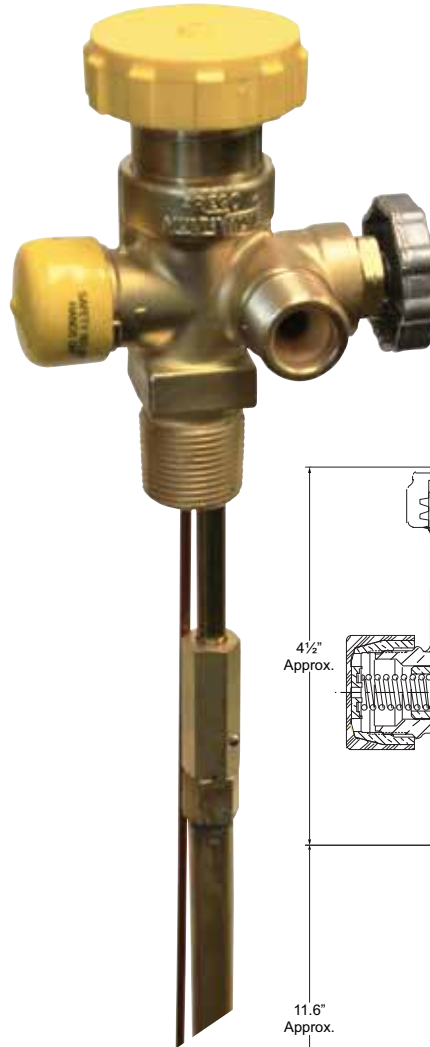


Features

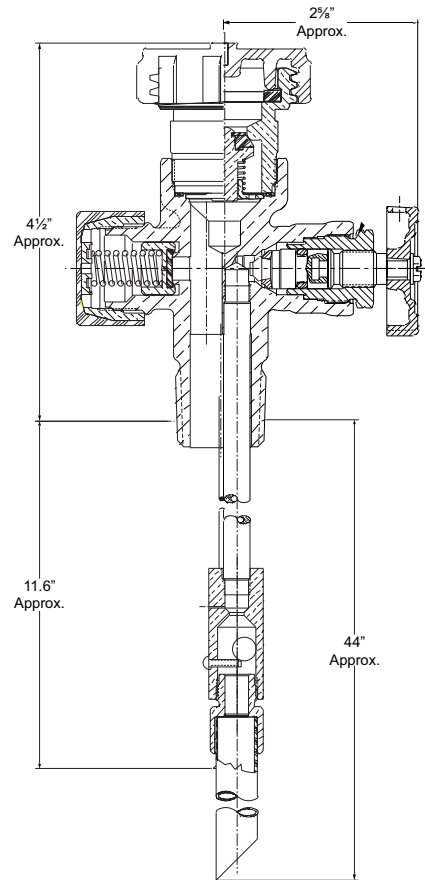
- Incorporates service valve, high capacity filler valve with integral back check, fixed liquid level gauge, liquid withdrawal with excess flow check and pressure relief valve in one single unit.
- CGA 555 service connection minimizes accidental connection to vapor service systems.
- Furnished with 44" long, 1/2" O.D. brass liquid withdrawal tube.
- Liquid withdrawal tube incorporates a ball check excess flow valve that opens by allowing vapor, not liquid, to equalize pressure.
- 1 1/8" wrenching flats.

Materials

Body	Forged Brass
Handwheel.....	Aluminum Die Cast
Valve Stems.....	Brass
O-Rings	Resilient Rubber
Seat Disc (shut-off valve)	Nylon
Seat Disc (others).....	Resilient Rubber
Relief Spring.....	Stainless Steel



8555DL



Liquid Filling Rates

Part Number	Approximate Filling Rate Liquid Flow, GPM			
	Pressure Drop Across Valve			
	10 PSIG	25 PSIG	50 PSIG	100 PSIG
****8555DL11.6	8	23	34	42

Ordering Information

Part Number	Container Connection	Service Connection	Filling Connection	Fixed Liquid Level Vent Valve Style	Dip Tube Length w/ Deflector	Liquid Withdrawal Tube Length	Pressure Relief Valve Setting	For Use In Cylinders w/ Propane Capacity Up To:	Liquid Closing Flow (LP-Gas)***
****8555DL11.6	3/4" M. NGT	CGA 555*	1 1/4" M. ACME	Knurled	11.6"	44"	375 PSIG	100 lbs. **	1.7 GPM

* Use adapter 12982 to connect to pipe threads.

** Per CGA Pamphlet S-1.1.

*** To ensure proper functioning and maximum protection from integral excess flow valves, the cylinder valve should be fully opened and backseated when in use.

****72 orifice low emission version is also available.